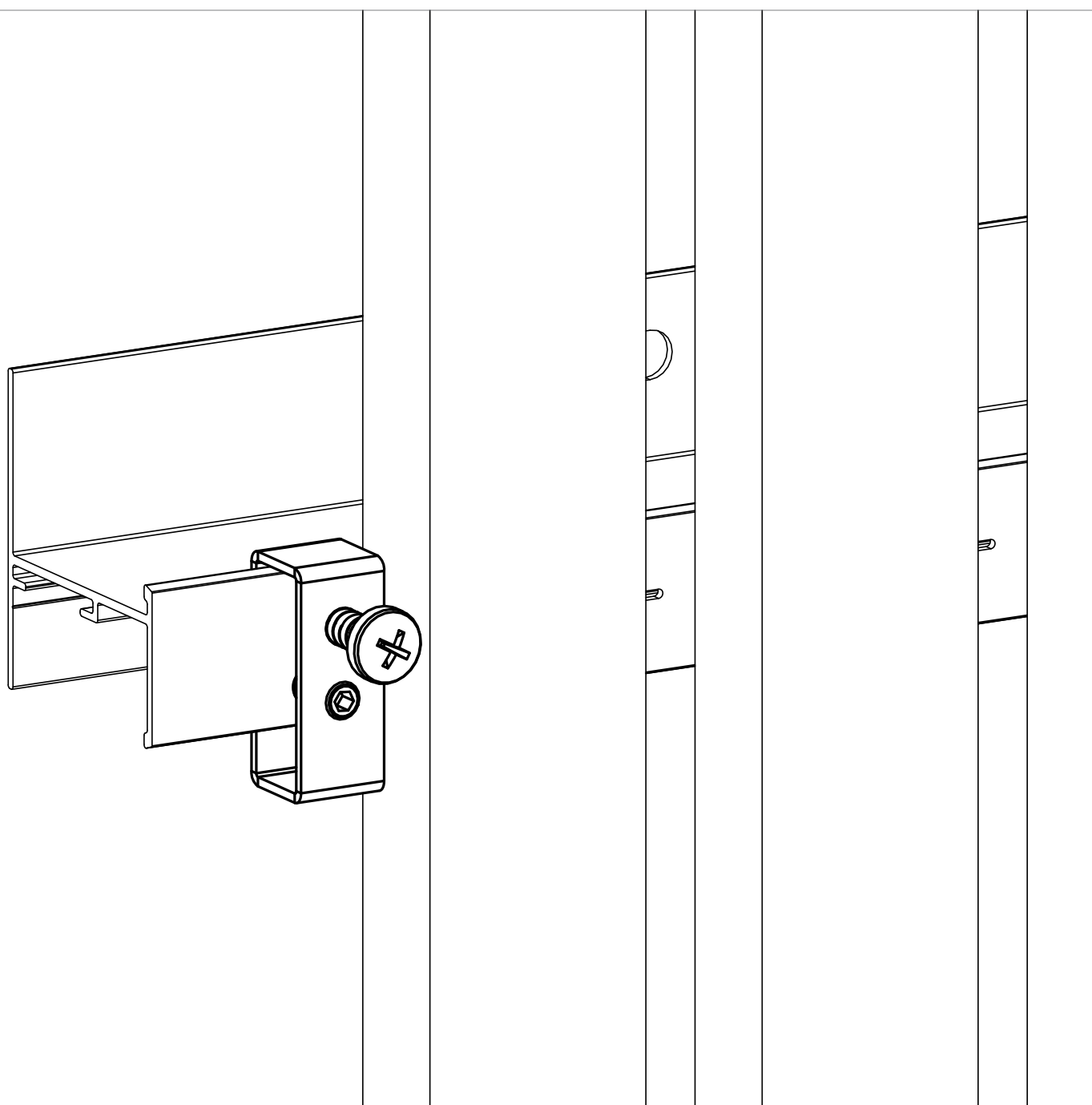


UNIVERSAL SUSPENSION BRACKET

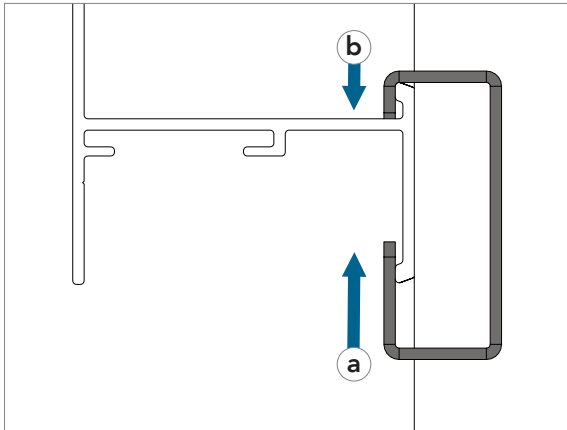
## **Rockfon**<sup>®</sup> **Lamella**<sup>™</sup>

How to install the universal suspension bracket.



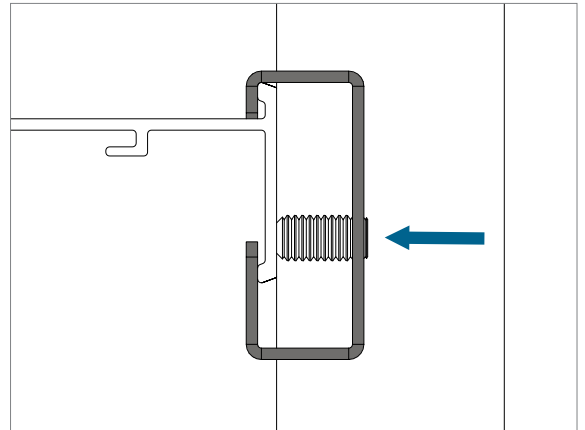
## Installation

**1** Slide in Universal Bracket.



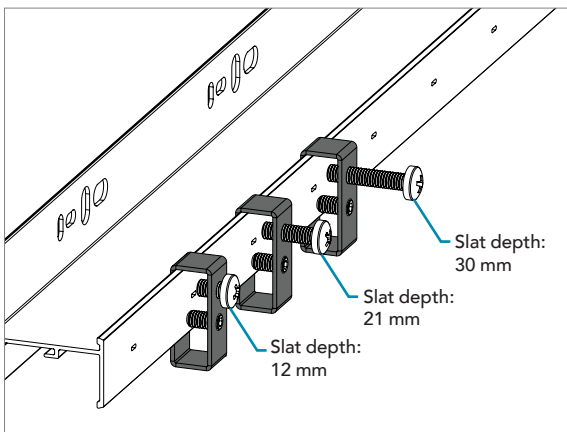
a) First insert the bottom part of the Universal Bracket onto the Middle profile and push it up.  
b) Then insert the upper part of the Universal Bracket onto the Middle profile and push it down.

**2** Fasten Set Screw.



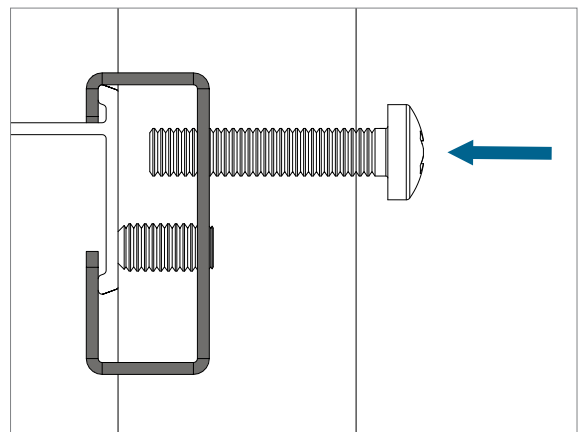
Fasten the set screw to secure the Universal Bracket onto the Middle profile.

**3** Select screw that matches Lamella Slat depth.



Make sure to select the screw that matches the deepest slat used in the specific installation.

**4** Insert screw.



Insert the suspension screw in the Universal Bracket.

01.2024 | All colour codes mentioned are based on the NCS - Natural Colour System® property of and used on license from NCS Colour AB, Stockholm 2012 or the RAL colour standard. Subject to alterations in range and product technology without prior notice. Rockfon accepts no responsibility for printing errors.

# Sounds Beautiful

