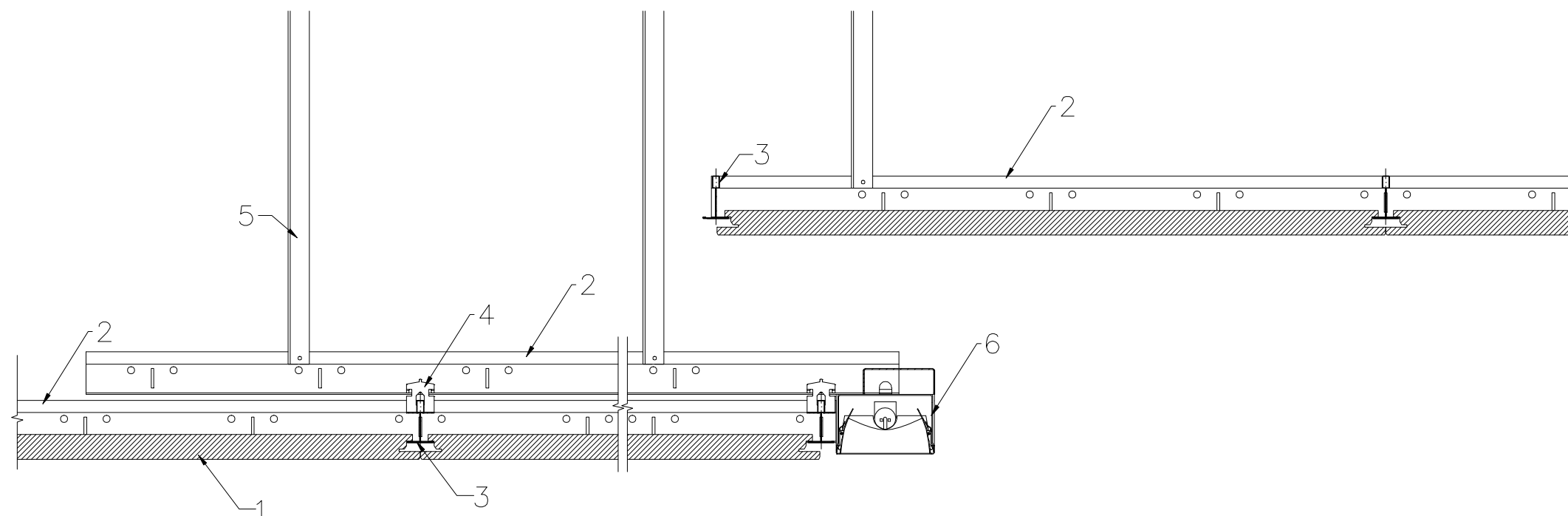


1. Tile ROCKFON with X edge
2. Main runner T24
3. Cross tee T24 1800mm
4. Clip ref:122
5. Rigid angle hanger
6. Light unit

A-A



All screws and other fastenings shown are indicative and illustrative only. Specific fasteners should be chosen dependent on substrates and materials being used.

Information:
Level shift – use of light unit to finish edge

We kindly draw your attention to the fact that the above drawings should be considered as guidelines and therefore are without responsibility on the part of Rockfon Limited.

Date:	Drawing Type:	
Drawing No.:	Drawn by:	Scale: 1:5
Contact Information:		

Rockfon
ACTIVATE YOUR CEILING

Tel. +44 (0) 208 222 7457