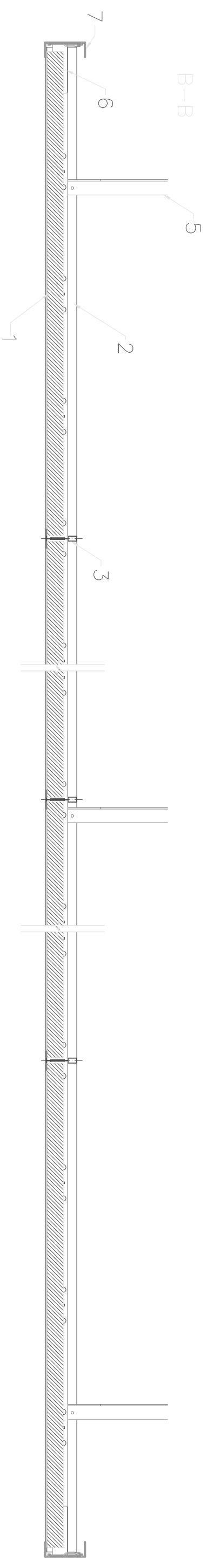
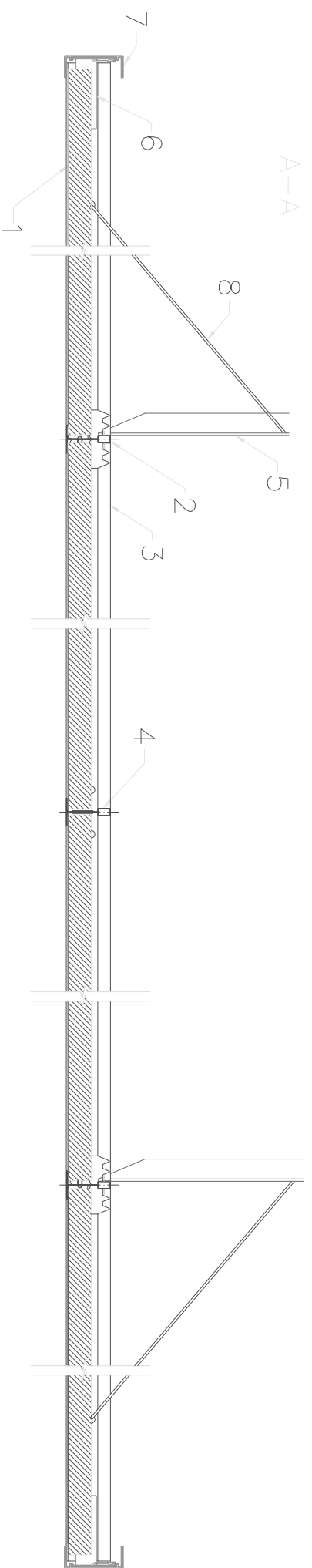


1. Tile ROCKFON with A edge
2. Main runner T24
3. Cross tee T24 1200mm
4. Cross tee T24 600mm
5. Rigid angle hanger
6. X-501a T bar connector clip
7. RL US50 channel
8. Extra support for long length cross tee



All screws and other fastenings shown are indicative and illustrative only.
 Specific fasteners should be chosen dependent on substrates and materials being used.

Information:
 Ceiling height – A-edge island, RL US50 channel

Date:	Drawing Type:	
Drawing No.:	Drawn by:	Scale:
Contact Information:		1:5

ROCKFON
 ACTIVATE YOUR CEILING
 Tel. +44 (0) 208 222 7457

We kindly draw your attention to the fact that the above drawings should be considered as guidelines and therefore are without responsibility on the part of Rockfon Limited.